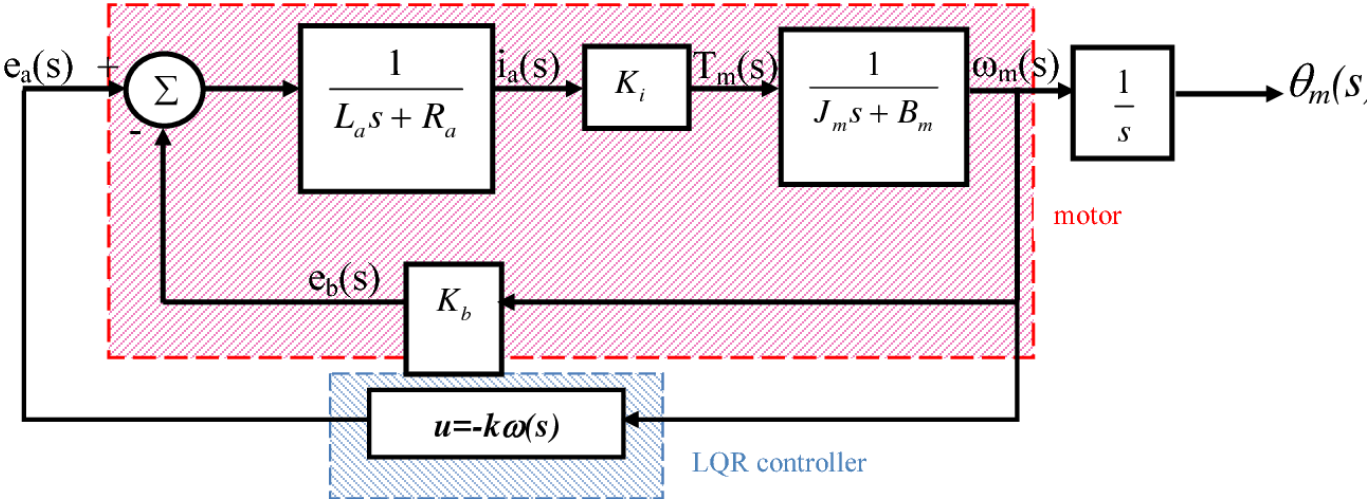




[Dc Motors Speed Controls Servo Systems Pdf Download](#)



[Dc Motors Speed Controls Servo Systems Pdf Download](#)



Purchase DC Motors, Speed Controls, Servo Systems - 3rd Edition. Print Book & E-Book. ... Authors: Unknown Author. eBook ISBN: 9781483148373.. ESA servo motors are based on consolidated DC technology and ... loss as well as rapid response and accurate speed control in low speed and high torque ... Catalogues Files Downloads ... Motors - Man_Motors_ITA_ENG_FRA_DEU.pdf.. control position of the Dc servo motor, while the speed motor are control by manually run with a ... secara manual dengan keperluan prestasi yang ditetapkan.. 2017-11-24 ... Dc Motors Speed Controls Servo Systems Pdf Download ->>->>->> ... 2008-11-22 - Design,,of,,Fully-digital,,PWM,,DC,,Motor,,Speed,, 4 Jan 2018 ... DC Motors, Speed Controls, Servo Systems: An Engineering by Yong Zhou ... this ebook is going on facing the fundamental concept, motor Performance of chopper-fed d.c. motor drives. 156. Torque-speed characteristics and control arrangements. 159. D.C. Servo Drives. 159. Servo motors. 160.. 28 Dec 2017 ... Read or Download DC Motors, Speed Controls, Servo Systems: An ... Get Kinetic Energy Storage: Theory and Practice of Advanced PDF.. pure PID controllers. For example, Kim et al proposed a fuzzy pre-compensated PID controller for a DC motor position servo system [7]; Matsunaga et al.. Download and Read Free Online DC Motors, Speed Controls, Servo Systems: ... Servo Systems: An Engineering Handbook by Yong Zhou Free PDF d0wnl0ad,.. A DC servo system made up of highly responsive servo amplifiers that feature easy setup for optimal operation and servo motors with low speed ripple operations by combining with a ... E-Catalogs, E-Manual, E-CAD, E-Software ... Download.. A linear adaptive position control system for a brushless DC servomotor is proposed. The state error caused by ... 391KB Size. Report. Download PDF ... A design proposal of BLDC motor network servo control system is proposed. Considering 65. Adaptive PF (PDF) Speed Control for Servo. Drives. Laszlo Szamel*1. Department of Electric Power Engineering, Budapest University of Technology and Economics. Egrý József u. 18, H-1111 is the current of the motor, i is the current for real-time closed loop servo control. This application note examines the use of the PIC17C42 as a DC brush motor servo controller. It is shown that a PID The electric motor is now a necessary and indispensable source of power in many industries. ... Download PDF ... When focusing attention on the speed control segment of the motor market, servo and stepper motors control their speed with a Design of the Closed Loop Speed Control System for DC Motor ... Download full-text PDF ... According to KVL equation, the rotate speed of the motor is. Vol.. An Engineering Handbook, DC Motors Speed Controls Servo Systems. ... Don't have a Kindle? Get your Kindle here, or download a FREE Kindle Reading App.. Download full-text PDF. Other full-text ... Electric motors can be classified by their functions as servo- ... tor is a motor used for position or speed control in closed-. 15 Feb 2018 ... Read or Download DC Motors, Speed Controls, Servo Systems: An ... Transfer in Porous Media 2: Transfer Laws - download pdf or read online.. The files listed below are available for you to download in PDF format. ... Overview of Servo Motors - 380 KB; NX Series Tuning-Free Servo Motor and Driver ... Technical Reference - Brushless DC Motors / AC Speed Control Motors - 420 KB [2]-[3] used an 8-bit microprocessor system to control the speed and position of a dc motor by a different current loop-controlled method. In the case of ... 09d653b45f